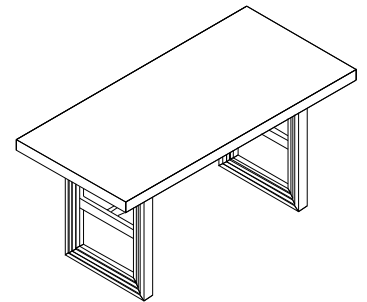


Warning :

- Be sure to check all packing material carefully for small parts, which may have come loose inside the carton during shipment.
- To prevent possible scratches and damage, this furniture **MUST BE ASSEMBLED BY TWO PEOPLE** on a soft surface such as a blanket or carpet.

Important Use Information: We recommend using coasters, placemats and trivets when placing hot or cold containers on this item. It is also recommended to quickly cleanup any spills to minimize exposure to moisture. Doing so will prolong the life and look of the item for many years.



73453
Rectangle CNTR HT Dining Table-Top
73447
Rectangle CNTR HT Dining Table-Base

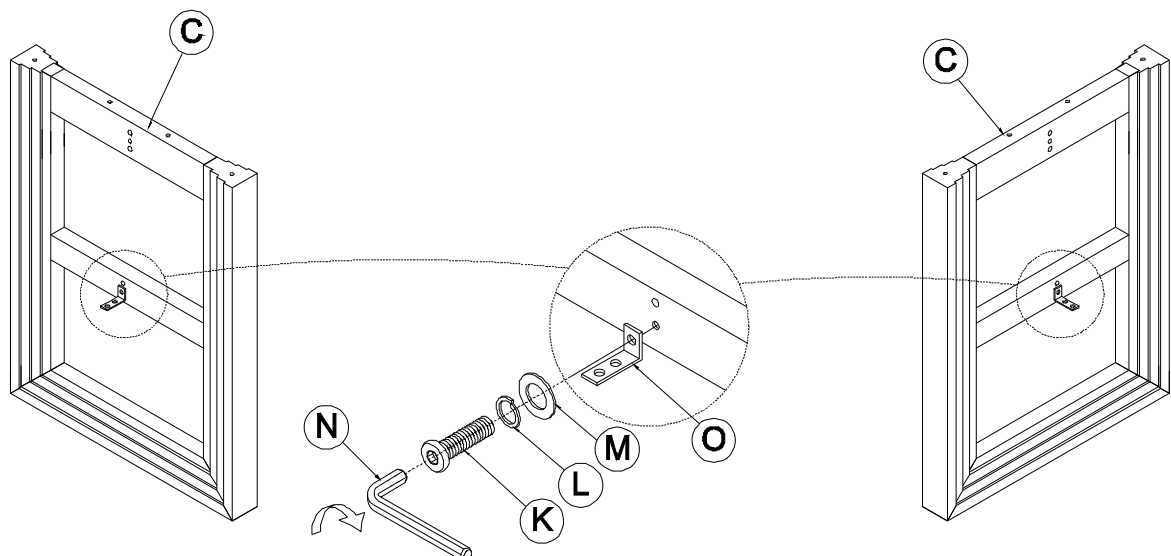
Components packed with the # 73453 Table Top

<p>Table Top A 1 pc.</p>	<p>Mounting Plate B 2 pcs.</p>
------------------------------	------------------------------------

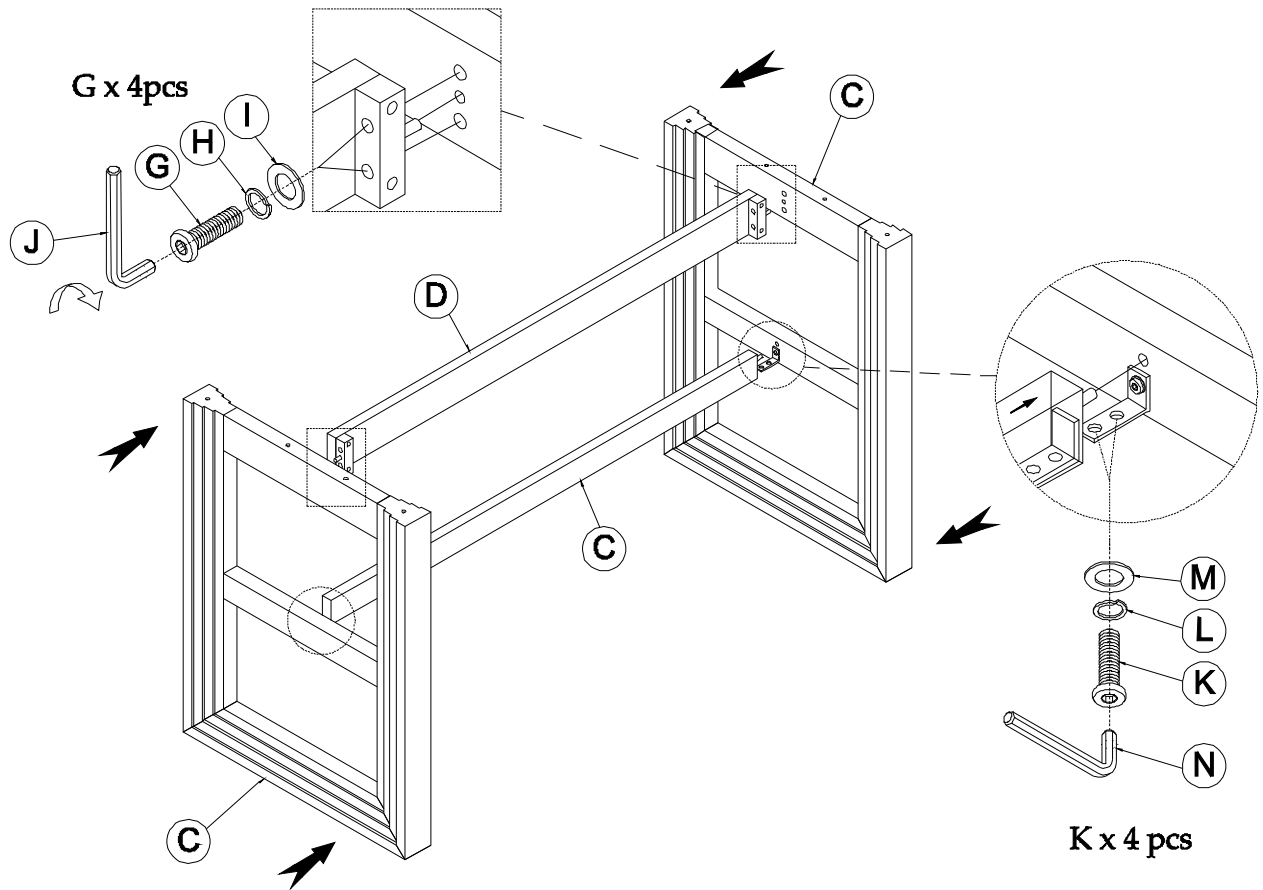
Components and Hardware packed with the # 73447 Table Base

<p>Table Base C 2 pcs.</p>	<p>Top Stretcher D 1 pc.</p>	<p>Bottom Stretcher E 1 pc.</p>	<p>Allen Head Bolt 5/16"-18 x 1-1/2" F 16 pcs.</p>	<p>Allen Head Bolt 5/16"-18 x 1-3/4" G 12 pcs.</p>	<p>Spring Washer 5/16" x 12 x 3mm H 28 pcs.</p>	<p>Flat Washer 5/16" x 19 x 2mm I 28 pcs.</p>
<p>Allen Key 5mm J 1 pc.</p>	<p>Allen Head Bolt 1/4"-20 x 1-1/4" K 6 pcs.</p>	<p>Spring Washer 1/4" x 12 x 3mm L 6 pcs.</p>	<p>Flat Washer 1/4" x 16 x 1.2mm M 6 pcs.</p>	<p>Allen Key 4mm N 1 pc.</p>	<p>"L" Metal O 2 pcs.</p>	

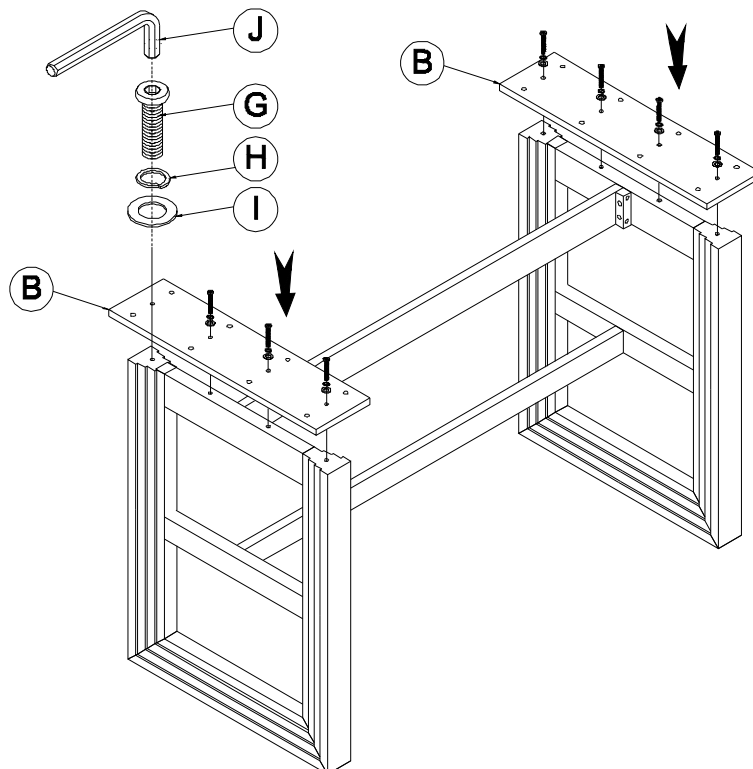
Step 1 : Do not fully tighten the Bolts
(K x 2pcs)



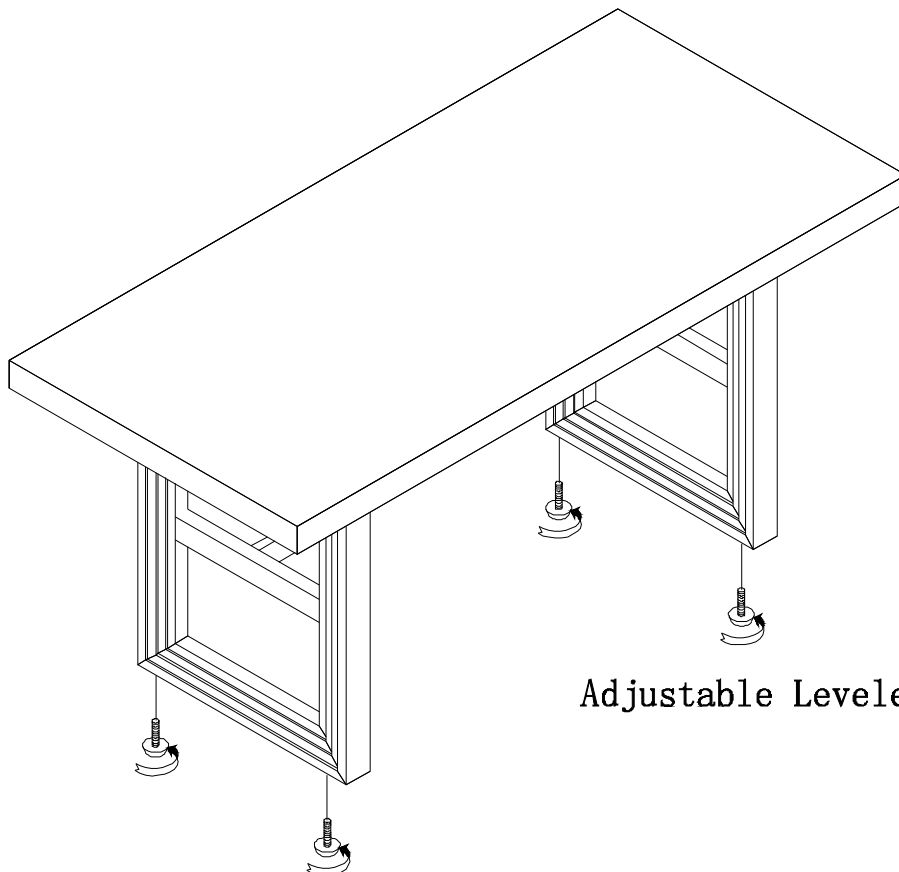
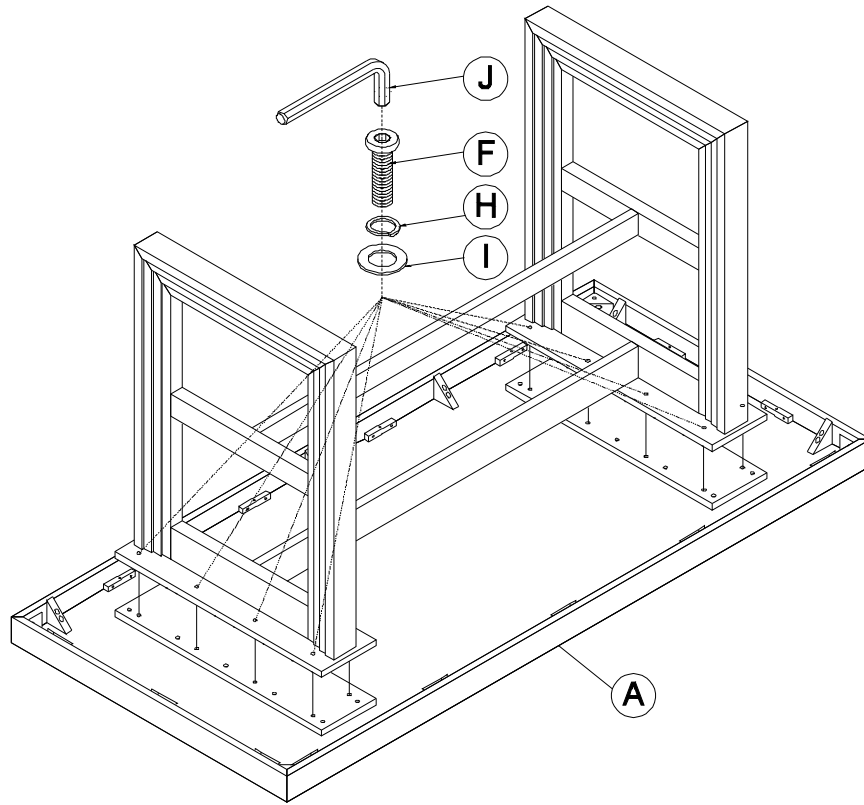
Step 2 : Using the Allen key to tighten all the bolts



Step 3 : G x 8 pcs



Step 4 : F x 16pcs



Adjustable Leveler